

ISOJET

PRESSURE WASHER HOSES

- Cost effective solution
- High safety standard

 **manuli**[®]
HYDRAULICS

INDUSTRIAL

ISOJET Pressure Washer Hoses

The ISOJET range of hoses comprises 4 individual families:

- **ISOJET/28** - A range of compact hoses rated at 280 bar working pressure, and suited to most basic pressure washing applications. Grey version is also animal fat resistant.
- **ISOJET/28 PLUS** - Also rated at 280 bar, this family of hoses has a thicker cover making it more robust and hard-wearing; ideal for hobby-level usage.
- **ISOJET/42** - This is a heavy-duty, compact hose for pressure-washer applications up to 420 bar, including semi-professional usage. Grey version is also animal fat resistant.
- **ISOJET/42 PLUS** - This hose family offers the highest level of performance along with an extremely robust cover, making it the go-to solution for use with professional pressure-washing equipment.

Features

- **Price oriented** - ISOJET hoses offer exceptional performance at a highly competitive price
- **High safety standards** - ISOJET hoses are available in 280 bar and 420 bar pressure ratings with a safety factor of 3:1
- **Easy to handle** - ISOJET hoses are lightweight with good flexibility
- **Fixed lengths** - ISOJET hoses are available in fixed lengths of 15.4m (50ft), 30.5m (100ft), 20m & 40m

Animal Fat Resistance

ISOJET/28 and ISOJET/42 lines have a specially formulated cover compound which makes them highly resistant to animal fats.



Availability of Hoses

ISOJET hoses are available in a range of colours and structures, as well as two distinct pressure ratings. This makes them a highly versatile range of hoses which support the full spectrum of pressure washing applications, from infrequent home and hobby use, to regular and prolonged use with professional pressure washers.

Hose Family	Description	Application	W.P (Safety Factor 3:1)	Colour Availability		
ISOJET/28	Super compact; 1WB	Basic	280 bar	Blue	Black	Grey*
ISOJET/28 PLUS	Robust; 1WB	Hobby	280 bar	Blue		Grey
ISOJET/42	Compact; 2WB	Standard	420 bar	Blue	Black	Grey*
ISOJET/42 PLUS	Robust; 2WB	Professional	420 bar	Blue		Grey

* Resistant to animal fats

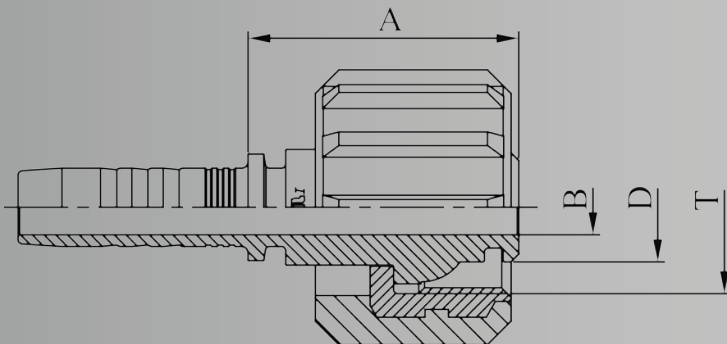


Example of embossed, indelible branding on the hose

Integrated Fitting Solutions

ISOJET hoses are designed for seamless and robust hose and fitting integration. The ISOJET range is paired with the Multifit range of no-skive, two-piece fittings, for a reliable, leak-free connection both in the workshop and in the field.

The Multifit range offers a huge variety of hydraulic-style connectors, as well as a dedicated pressure washer fitting suitable for use with most market-leading pressure-washer brands at both home- and professional-use levels.



CONNECTIONS - CLEANING

M24913

WASH CLEANER FEMALE

PART. REF.	HOSE BORE			Thread	DIMENSIONS mm		
	DN	Dash	inch		T	B	A
M24913-04-22	6	- 4	1/4"	M 22X1,5	4.0	34.0	13.9
M24913-05-22	8	- 5	5/16"	M 22X1,5	5.5	34.0	13.9
M24913-06-22	10	- 6	3/8"	M 22X1,5	7.0	34.5	13.9

ISOJET/28 (BLUE)

PRESSURE WASH - BLUE VERSION



TECHNICAL DATA

PART REF.	HOSE SIZE			R.O.D		O.D		MAX. W.P		BURST		MIN. BEND		WEIGHT		FITTINGS	
	DN	dash	inch	mm	inch	mm	inch	bar	psi	bar	psi	mm	inch	g/m	lb/ft	Std 1	Std 2
H01190006*	6	-4	1/4"	9.9	0.38	11.7	0.46	280	4,060	840	12,183	50	1.96	158	0.11	MF + M03300-04	
H01190008*	8	-5	5/16"	11.4	0.44	13.1	0.51	280	4,060	840	12,183	55	2.16	181	0.12	MF + M03300-05	
H01190010*	10	-6	3/8"	13.3	0.52	15.3	0.6	280	4,060	840	12,183	65	2.55	235	0.16	MF + M03300-06	
H01190012*	12	-8	1/2"	16.7	0.65	18.5	0.72	280	4,060	840	12,183	90	3.54	330	0.22	MF + M03300-08	

KEY FEATURES

- Wrapped surface
- Indelible branding
- Compact structure: easy handling, reduced bend radius
- Good abrasion resistance
- Safety Factor 3:1

APPLICATIONS & FLUIDS

- Water-cleaning equipment, ideal for hobby and semi-professional machines
- Water, mineral oils, vegetable and rape seed oils, glycol and polyglycol based oils, synthetic ester based oils, oils in aqueous emulsion

CONTINUOUS SERVICE TEMPERATURE RANGE

-10 °C, 15 °F

135 °C, 275 °F

TUBE

Water resistant synthetic rubber

REINFORCEMENT

One high tensile steel braid

COVER

Weather resistant synthetic rubber

APPLICABLE SPECS

Manuli® Design

ISOJET/28 (BLACK)

PRESSURE WASH - BLACK VERSION



TECHNICAL DATA

PART REF.	HOSE SIZE			R.O.D		O.D		MAX. W.P		BURST		MIN. BEND		WEIGHT		FITTINGS	
	DN	dash	inch	mm	inch	mm	inch	bar	psi	bar	psi	mm	inch	g/m	lb/ft	Std 1	Std 2
H01189006*	6	-4	1/4"	9.9	0.38	11.7	0.46	280	4,060	840	12,183	50	1.96	154	0.10	MF + M03300-04	
H01189008*	8	-5	5/16"	11.4	0.44	13.1	0.51	280	4,060	840	12,183	55	2.16	177	0.12	MF + M03300-05	
H01189010*	10	-6	3/8"	13.3	0.52	15.3	0.6	280	4,060	840	12,183	65	2.55	229	0.15	MF + M03300-06	
H01189012*	12	-8	1/2"	16.7	0.65	18.5	0.72	280	4,060	840	12,183	90	3.54	323	0.22	MF + M03300-08	

KEY FEATURES

- Wrapped surface
- Indelible branding
- Compact structure: easy handling, reduced bend radius
- Good abrasion resistance
- Safety Factor 3:1

APPLICATIONS & FLUIDS

- Water-cleaning equipment, ideal for hobby and semi-professional machines
- Water, mineral oils, vegetable and rape seed oils, glycol and polyglycol based oils, synthetic ester based oils, oils in aqueous emulsion

CONTINUOUS SERVICE TEMPERATURE RANGE

-10 °C, 15 °F

135 °C, 275 °F

TUBE

Water resistant synthetic rubber

REINFORCEMENT

One high tensile steel braid

COVER

Weather resistant synthetic rubber

APPLICABLE SPECS

Manuli® Design

ISOJET/28 (GREY)

PRESSURE WASH - GREY VERSION



TECHNICAL DATA

PART REF.	HOSE SIZE			R.O.D		O.D		MAX. W.P		BURST		MIN. BEND		WEIGHT		FITTINGS	
	DN	dash	inch	mm	inch	mm	inch	bar	psi	bar	psi	mm	inch	g/m	lb/ft	Std 1	Std 2
H01191006*	6	-4	1/4"	9.9	0.38	11.7	0.46	280	4,060	840	12,183	50	1.96	164	0.11	MF + M03300-04	
H01191010*	10	-6	3/8"	13.3	0.52	15.3	0.6	280	4,060	840	12,183	65	2.55	244	0.16	MF + M03300-06	

KEY FEATURES

- Animal fat resistant
- Wrapped surface
- Indelible branding
- Compact structure: easy handling, reduced bend radius
- Safety Factor 3:1

APPLICATIONS & FLUIDS

- Water-cleaning equipment, ideal for hobby and semi-professional machines
- Water, mineral oils, vegetable and rape seed oils, glycol and polyglycol based oils, synthetic ester based oils, oils in aqueous emulsion

CONTINUOUS SERVICE TEMPERATURE RANGE

-10 °C, 15 °F

135 °C, 275 °F

TUBE

Water resistant synthetic rubber

REINFORCEMENT

One high tensile steel braid

COVER

Weather resistant synthetic rubber, animal fat resistant

APPLICABLE SPECS

Manuli® Design

ISOJET/28 PLUS (BLUE)

PRESSURE WASH - BLUE VERSION



TECHNICAL DATA

PART REF.	HOSE SIZE			R.O.D		O.D		MAX. W.P		BURST		MIN. BEND		WEIGHT		FITTINGS	
	DN	dash	inch	mm	inch	mm	inch	bar	psi	bar	psi	mm	inch	g/m	lb/ft	Std 1	Std 2
H01198006*	6	-4	1/4"	9.9	0.38	12.7	0.5	280	4,060	840	12,183	50	1.96	184	0.12	MF + M03300-04	
H01198010*	10	-6	3/8"	13.3	0.52	16.1	0.63	280	4,060	840	12,183	65	2.55	262	0.18	MF + M03300-06	

KEY FEATURES

- Wrapped surface
- Indelible branding
- Compact structure: easy handling, reduced bend radius
- Good abrasion resistance
- Safety Factor 3:1

APPLICATIONS & FLUIDS

- Water-cleaning equipment, ideal for hobby and semi-professional machines
- Water, mineral oils, vegetable and rape seed oils, glycol and polyglycol based oils, synthetic ester based oils, oils in aqueous emulsion

CONTINUOUS SERVICE TEMPERATURE RANGE

-10 °C, 15 °F

135 °C, 275 °F

TUBE

Water resistant synthetic rubber

REINFORCEMENT

One high tensile steel braid

COVER

Weather resistant synthetic rubber

APPLICABLE SPECS

Manuli® Design

ISOJET/28 PLUS (GREY)

PRESSURE WASH - GREY VERSION



TECHNICAL DATA

PART REF.	HOSE SIZE			R.O.D		O.D		MAX. W.P		BURST		MIN. BEND		WEIGHT		FITTINGS	
	DN	dash	inch	mm	inch	mm	inch	bar	psi	bar	psi	mm	inch	g/m	lb/ft	Std 1	Std 2
H01196006*	6	-4	1/4"	9.9	0.38	12.7	0.5	280	4,060	840	12,183	50	1.96	190	0.13	MF + M03300-04	
H01196010*	10	-6	3/8"	13.3	0.52	16.1	0.63	280	4,060	840	12,183	65	2.55	271	0.18	MF + M03300-06	

KEY FEATURES

- Wrapped surface
- Indelible branding
- Compact structure: easy handling, reduced bend radius
- Good abrasion resistance
- Safety Factor 3:1

APPLICATIONS & FLUIDS

- Water-cleaning equipment, ideal for hobby and semi-professional machines
- Water, mineral oils, vegetable and rape seed oils, glycol and polyglycol based oils, synthetic ester based oils, oils in aqueous emulsion

CONTINUOUS SERVICE TEMPERATURE RANGE

-10 °C, 15 °F

135 °C, 275 °F

TUBE

Water resistant synthetic rubber

REINFORCEMENT

One high tensile steel braid

COVER

Weather resistant synthetic rubber

APPLICABLE SPECS

Manuli® Design

ISOJET/42 (BLUE)

PRESSURE WASH - BLUE VERSION



TECHNICAL DATA

PART REF.	HOSE SIZE			R.O.D		O.D		MAX. W.P		BURST		MIN. BEND		WEIGHT		FITTINGS	
	DN	dash	inch	mm	inch	mm	inch	bar	psi	bar	psi	mm	inch	g/m	lb/ft	Std 1	Std 2
H01193006*	6	-4	1/4"	11.2	0.44	13.2	0.51	420	6,090	1,260	18,275	50	1.96	258	0.17	MF + M03300-04	
H01193008*	8	-5	5/16"	13	0.51	15	0.59	420	6,090	1,260	18,275	55	2.16	316	0.21	MF + M03300-05	
H01193010*	10	-6	3/8"	14.6	0.57	16.8	0.66	420	6,090	1,260	18,275	65	2.55	372	0.25	MF + M03300-06	
H01193012*	12	-8	1/2"	18.6	0.73	20.6	0.81	420	6,090	1,260	18,275	90	3.54	521	0.35	MF + M03300-08	

KEY FEATURES

- Wrapped surface
- Indelible branding
- Compact structure: easy handling, reduced bend radius
- Good abrasion resistance
- Safety Factor 3:1

APPLICATIONS & FLUIDS

- Water-cleaning equipment, ideal for hobby and semi-professional machines
- Water, mineral oils, vegetable and rape seed oils, glycol and polyglycol based oils, synthetic ester based oils, oils in aqueous emulsion

CONTINUOUS SERVICE TEMPERATURE RANGE

-10 °C, 15 °F

135 °C, 275 °F

TUBE

Water resistant synthetic rubber

REINFORCEMENT

Two high tensile steel braids

COVER

Weather resistant synthetic rubber

APPLICABLE SPECS

Manuli® Design

ISOJET/42 (BLACK)

PRESSURE WASH - BLACK VERSION



TECHNICAL DATA

PART REF.	HOSE SIZE			R.O.D		O.D		MAX. W.P		BURST		MIN. BEND		WEIGHT		FITTINGS	
	DN	dash	inch	mm	inch	mm	inch	bar	psi	bar	psi	mm	inch	g/m	lb/ft	Std 1	Std 2
H01192006*	6	-4	1/4"	11.2	0.44	13.2	0.51	420	6,090	1,260	18,275	50	1.96	253	0.17	MF + M03300-04	
H01192008*	8	-5	5/16"	13	0.51	15	0.59	420	6,090	1,260	18,275	55	2.16	310	0.21	MF + M03300-05	
H01192010*	10	-6	3/8"	14.6	0.57	16.8	0.66	420	6,090	1,260	18,275	65	2.55	365	0.25	MF + M03300-06	
H01192012*	12	-8	1/2"	18.6	0.73	20.6	0.81	420	6,090	1,260	18,275	90	3.54	513	0.34	MF + M03300-08	

KEY FEATURES

- Wrapped surface
- Indelible branding
- Compact structure: easy handling, reduced bend radius
- Good abrasion resistance
- Safety Factor 3:1

APPLICATIONS & FLUIDS

- Water-cleaning equipment, ideal for hobby and semi-professional machines
- Water, mineral oils, vegetable and rape seed oils, glycol and polyglycol based oils, synthetic ester based oils, oils in aqueous emulsion

CONTINUOUS SERVICE TEMPERATURE RANGE

-10 °C, 15 °F

135 °C, 275 °F

TUBE

Water resistant synthetic rubber

REINFORCEMENT

Two high tensile steel braids

COVER

Weather resistant synthetic rubber

APPLICABLE SPECS

Manuli® Design

ISOJET/42 (GREY)

PRESSURE WASH - GREY VERSION



TECHNICAL DATA

PART REF.	HOSE SIZE			R.O.D		O.D		MAX. W.P		BURST		MIN. BEND		WEIGHT		FITTINGS	
	DN	dash	inch	mm	inch	mm	inch	bar	psi	bar	psi	mm	inch	g/m	lb/ft	Std 1	Std 2
H01194010*	10	-6	3/8"	14.6	0.57	16.8	0.66	420	6,090	1,260	18,275	65	2.55	382	0.26	MF + M03300-06	
H01194012*	12	-8	1/2"	18.6	0.73	20.6	0.81	420	6,090	1,260	18,275	90	3.54	532	0.36	MF + M03300-08	

KEY FEATURES

- Animal fat resistant
- Wrapped surface
- Indelible branding
- Compact structure: easy handling, reduced bend radius
- Safety Factor 3:1

APPLICATIONS & FLUIDS

- Water-cleaning equipment, ideal for hobby and semi-professional machines
- Water, mineral oils, vegetable and rape seed oils, glycol and polyglycol based oils, synthetic ester based oils, oils in aqueous emulsion

CONTINUOUS SERVICE TEMPERATURE RANGE

-10 °C, 15 °F

135 °C, 275 °F

TUBE

Water resistant synthetic rubber

REINFORCEMENT

Two high tensile steel braids

COVER

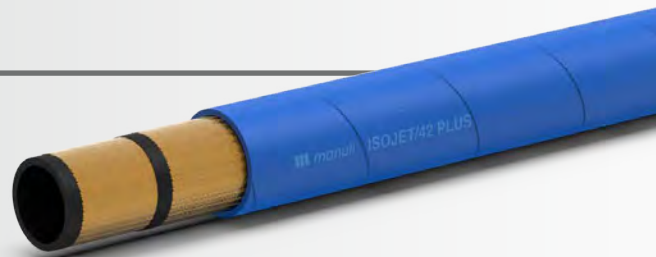
Weather resistant synthetic rubber, animal fat resistant

APPLICABLE SPECS

Manuli® Design

ISOJET/42 PLUS (BLUE)

PRESSURE WASH - BLUE VERSION



TECHNICAL DATA

PART REF.	HOSE SIZE			R.O.D		O.D		MAX. W.P		BURST		MIN. BEND		WEIGHT		FITTINGS	
	DN	dash	inch	mm	inch	mm	inch	bar	psi	bar	psi	mm	inch	g/m	lb/ft	Std 1	Std 2
H01195006*	6	-4	1/4"	11.2	0.44	14	0.55	420	6,090	1,260	18,275	50	1.96	281	0.19	MF + M03400-04	
H01195008*	8	-5	5/16"	13	0.51	15.8	0.62	420	6,090	1,260	18,275	55	2.16	341	0.23	MF + M03400-05	
H01195010*	10	-6	3/8"	14.6	0.57	17.4	0.68	420	6,090	1,260	18,275	65	2.55	394	0.26	MF + M03400-06	
H01195012*	12	-8	1/2"	18.6	0.73	20.6	0.81	420	6,090	1,260	18,275	90	3.54	521	0.35	MF + M03400-08	

KEY FEATURES

- Wrapped surface
- Indelible branding
- Compact and robust structure: easy handling, reduced bend radius
- Good abrasion resistance
- Safety Factor 3:1

APPLICATIONS & FLUIDS

- Water-cleaning equipment, dedicated to professional machines and applications
- Water, mineral oils, vegetable and rape seed oils, glycol and polyglycol based oils, synthetic ester based oils, oils in aqueous emulsion

CONTINUOUS SERVICE TEMPERATURE RANGE

-10 °C, 15 °F

135 °C, 275 °F

TUBE

Water resistant synthetic rubber

REINFORCEMENT

Two high tensile steel braids

COVER

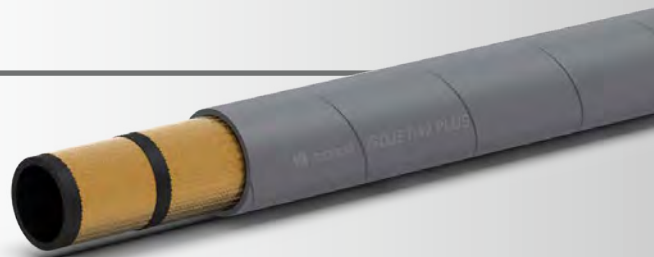
Weather resistant synthetic rubber

APPLICABLE SPECS

Manuli® Design

ISOJET/42 PLUS (GREY)

PRESSURE WASH - GREY VERSION



TECHNICAL DATA

PART REF.	HOSE SIZE			R.O.D		O.D		MAX. W.P		BURST		MIN. BEND		WEIGHT		FITTINGS	
	DN	dash	inch	mm	inch	mm	inch	bar	psi	bar	psi	mm	inch	g/m	lb/ft	Std 1	Std 2
H01197010*	10	-6	3/8"	14.6	0.57	17.4	0.68	420	6,090	1,260	18,275	65	2.55	402	0.27	MF + M03400-06	
H01197012*	12	-8	1/2"	18.6	0.73	20.6	0.81	420	6,090	1,260	18,275	90	3.54	529	0.36	MF + M03400-08	

KEY FEATURES

- Wrapped surface
- Indelible branding
- Compact and robust structure: easy handling, reduced bend radius
- Good abrasion resistance
- Safety Factor 3:1

APPLICATIONS & FLUIDS

- Water-cleaning equipment, dedicated to professional machines and applications
- Water, mineral oils, vegetable and rape seed oils, glycol and polyglycol based oils, synthetic ester based oils, oils in aqueous emulsion

CONTINUOUS SERVICE TEMPERATURE RANGE

-10 °C, 15 °F

135 °C, 275 °F

TUBE

Water resistant synthetic rubber

REINFORCEMENT

Two high tensile steel braids

COVER

Weather resistant synthetic rubber

APPLICABLE SPECS

Manuli® Design



www.manuli-hydraulics.com/industrial-hoses



Global Marketing Office
Email: marketing@manuli-hydraulics.com

© 2024 Manuli Ryco group. All rights reserved.
Content is owned by Manuli Ryco group and not to be copied or distributed without prior written authorisation. Trademarks and Logos that appear in the documentation are protected and registered by applicable law.